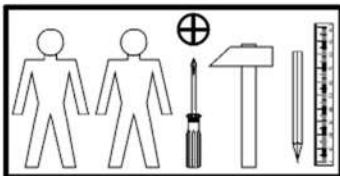
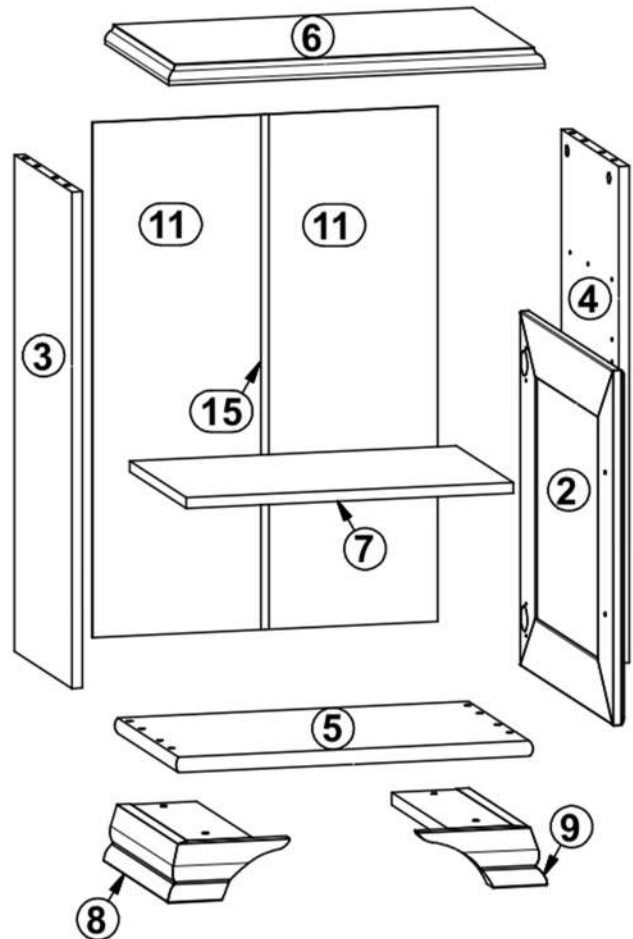
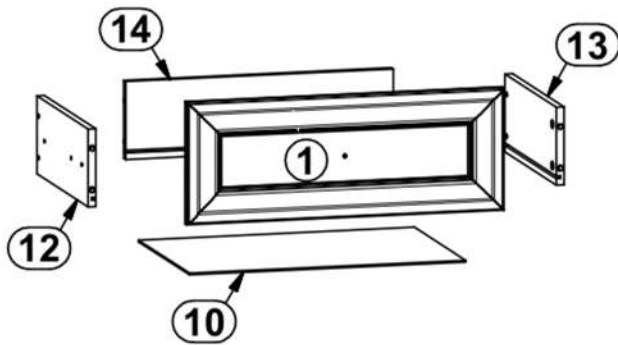


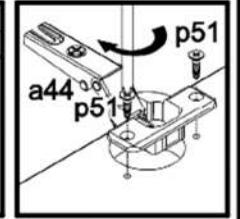
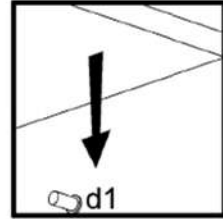
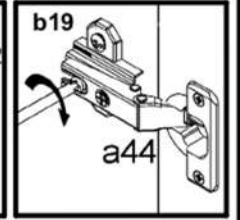
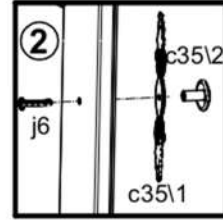
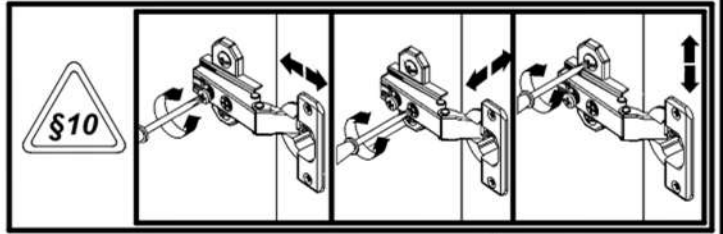
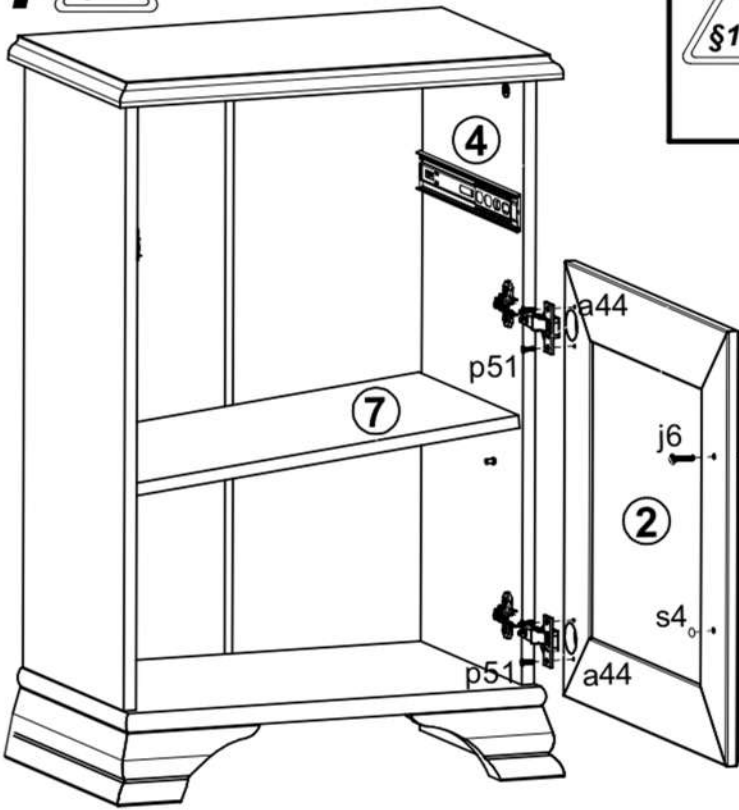
A	B	C	D	
1	S320-0016N	496	188	4/4
2	S320-0015A	500	496	4/4
3	S320-124N	700	307	1/4
4	S320-125N	700	307	1/4
5	S320-218	512	329	2/4
6	S320-2219N	540	340	2/4
7	S320-314	467	303	2/4
8	S320-523	345	180	3/4
9	S320-524	345	180	3/4
10	S320-915N	425	298	1/4
11	S320-1930	744	247	1/4
12	S320-571N	300	120	1/4
13	S320-572N	300	120	1/4
14	S320-5545N	410	120	1/4
15	Lh-694	694	14	1/4



2x a44	2x b19	2x c351	2x c3512	4x d1 φ5x17 mm	4x e8 φ7x60 mm	6x e3 φ6x13 mm	10x f1 φ8x30 mm
4x f25 φ6,5x40 mm	1x j59 M4x18 mm	1x j6 M4x30 mm	25x l1	8x r42	2x w206/1 300 mm	2x w206/2 300 mm	6x p140 φ3,5x12 mm
1x n261	1x z1	4x p51 φ3,5x15 mm	8x r1 φ1,5x12 mm #16	6x s2 ø16	5x s4	4x e2 φ6,3x13 mm	4x e26 φ7x35 mm
1x p38 φ3,5x16 mm	1x p17 φ5x60 mm	1x f35 φ10x50 mm					

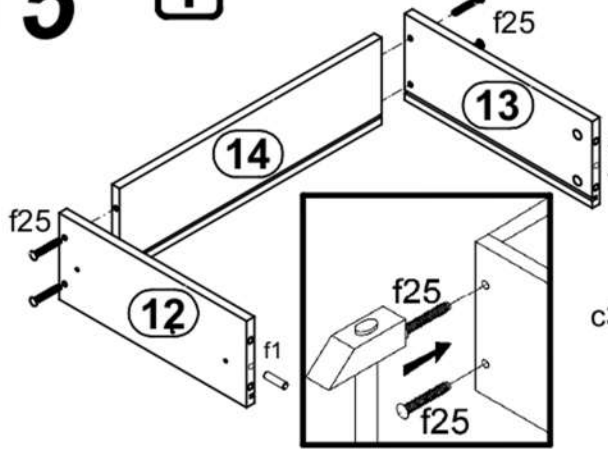
4

§19

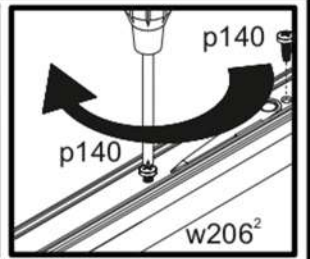
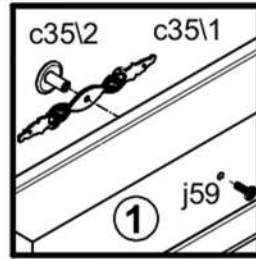
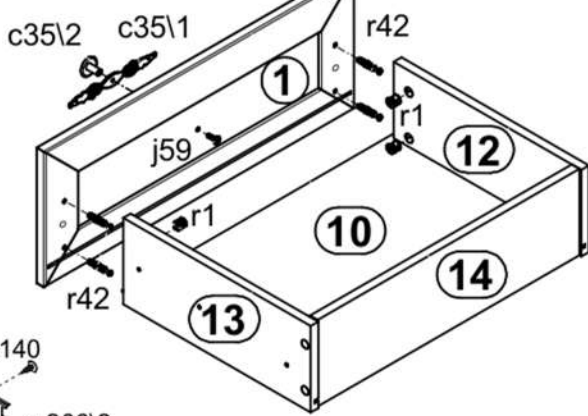


5

I



II



III

